

Replacement Parts / Pièces de rechange / Repuestos

UF65440
UF65443
UF65445

Z Series

Roman Tub with Hand Shower

UF65440
UF65443
UF65445

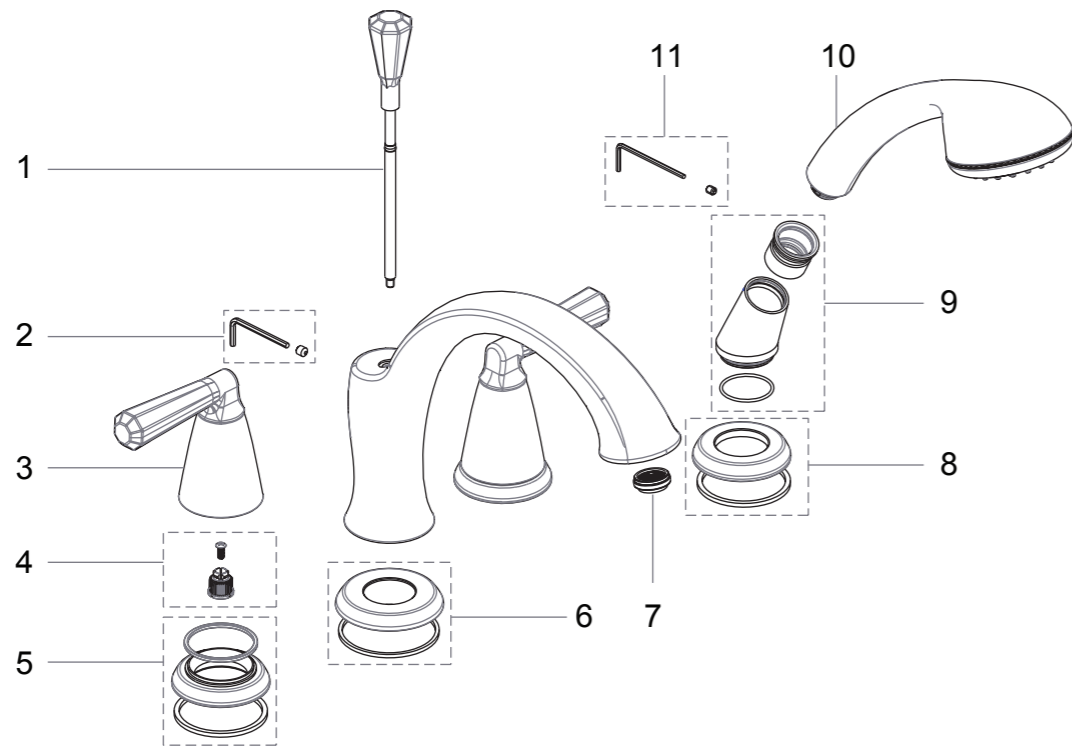


NO.	Description	Part No.
1	Diverter Knob & Rod Assembly	9Q225000CP/AP/HA
2	Deck Spout Set Screw & Allen Key	9Q1350NT
3	Handle	5C0001500CP0
4	Bush & Screw Assembly	9Q224700PL
5	Handle Base Assembly	9Q224800CP/AP/HA
6	Base Assembly	9Q224900CP/AP/HA
7	Aerator	5E0M0115PL
8	Base Assembly	9Q225200CP/AP/HA
9	Shower Base Assembly	9Q225100CP/AP/HA
10	Hand Shower	5F0001400CP0
11	Hand Shower Set Screw & Allen Key	9Q1349NT

Installation/Installation/Instalación

CUSTOMER SERVICE

TOLL-FREE 1-888-OK-ULTRA (658-5872)



Limited Lifetime Warranty

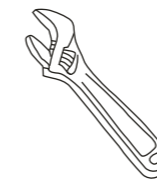
Ultra Faucets warrants to the original purchaser that its products will be free from defects in workmanship and materials. All Ultra Faucets are provided with a life time limited warranty. This warranty does not cover any other labor or service charges associated with the removal, repair, or reinstallation of Ultra Faucets products. This express warranty does not apply to products that have been damaged as a result of misuse, abuse, negligence, accident, faulty installation or maintenance practices and/or used in any manner contrary to those recommended by the manufacturer.

Need help? Please call our toll-free customer service line at 1-888-658-5872 for additional assistance or service.

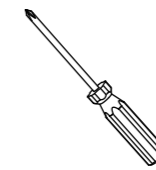
Besoin d'aide? Veuillez communiquer avec notre service à la clientèle au numéro gratuit 1-888-658-5872 pour tous renseignements ou services complémentaires.

¿Requiere asistencia? Llame a nuestro Servicio al Cliente, sin costo, al 1-888-658-5872 para asistencia adicional o servicio.

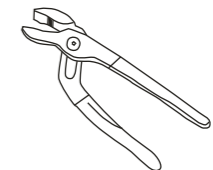
Tools You Will Need / Outils dont vous aurez besoin / Herramientas necesarias



Adjustable Wrench
Clé à molette
Llave ajustable



Phillips Screwdriver
Tournevis cruciforme
Destornillador cruciforme



Groove joint pliers
Pince multiprise
Pinzas ajustables

SAFETY TIPS

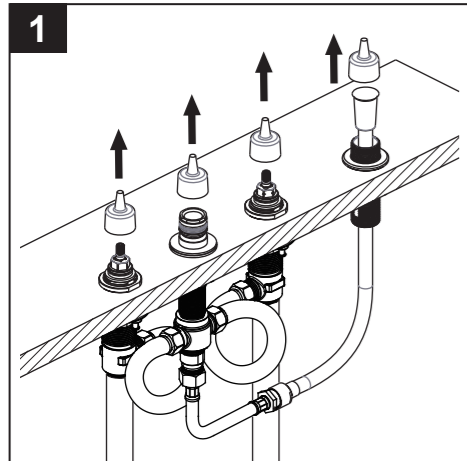
- If you use soldering for the installation of the faucet, the seats, cartridges and washers will have to be removed before using flame. Otherwise, warranty will be void on those parts.
- Cover your drain to avoid losing parts.
- 0°C~55°C.

CONSIGNES DE SÉCURITÉ

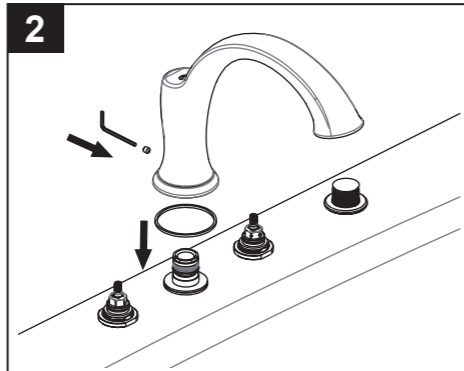
- Si vous posez le robinet par brasage, il est essentiel de retirer les sièges, les cartouches et les rondelles avant d'appliquer la flamme, faute de quoi la garantie sur ces pièces sera annulée.
- Couvrez le drain pour ne pas perdre des pièces.
- 0°C~55°C.

CONSEJOS DE SEGURIDAD

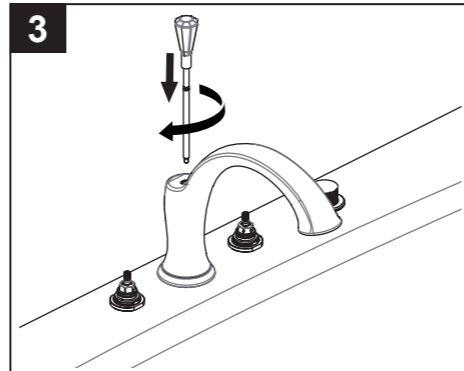
- En el caso de utilizar soldadura para instalar el grifo, remueva los asientos, cartuchos y arandelas antes de usar la llama. De lo contrario, se anulará la garantía para esos componentes.
- Tape la boca del desagüe para prevenir la pérdida de piezas pequeñas.
- 0°C~55°C.



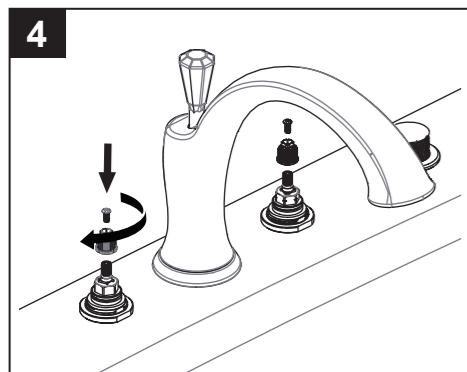
Turn the water supply off and remove the mud guards.



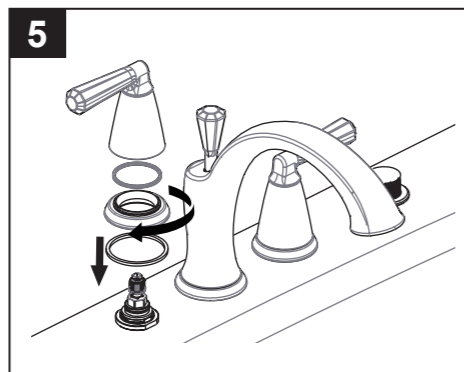
Place the spout washer under the spout and install spout on spout nipple-diverter assembly. Be sure the spout is firmly resting on the deck. Secure the spout with the setscrew.



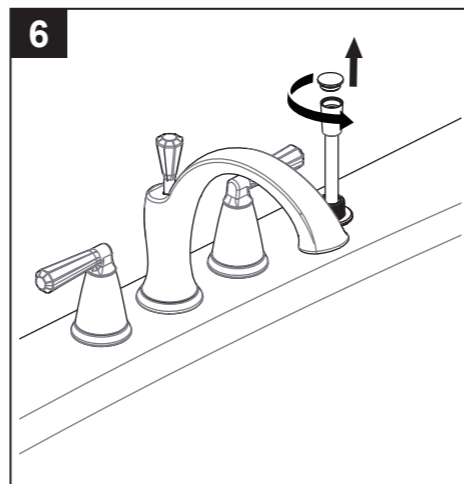
Insert diverter knob and rod assembly into the spout and thread the assembly onto the diverter rod in the spout diverter assembly. Pull the diverter rod and knob up and down to test the connection.



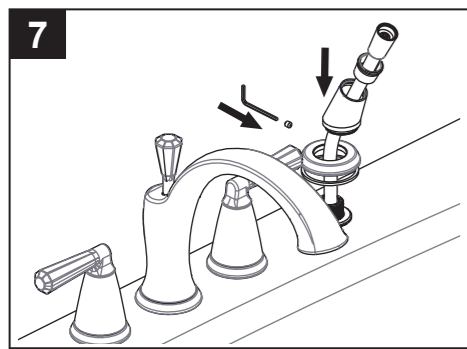
Insert the bush and screw into the hot valve. Secure the assembly by turning the screw clockwise. Repeat for cold valve.



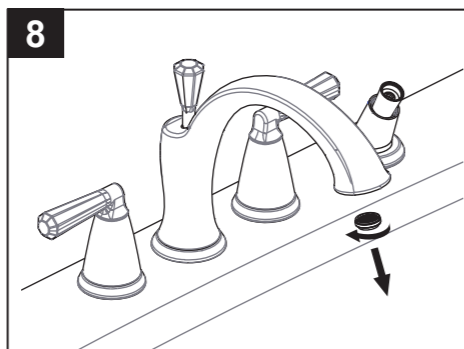
Place the washer over the hot valve. Align the handle and place the handle and escutcheon assembly into the valve. Secure the assembly by turning the escutcheon clockwise. Repeat for cold valve.



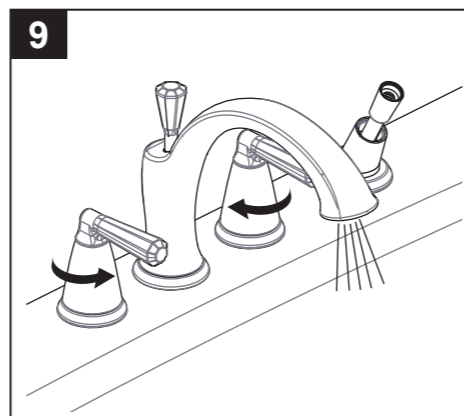
Remove the plastic cover.



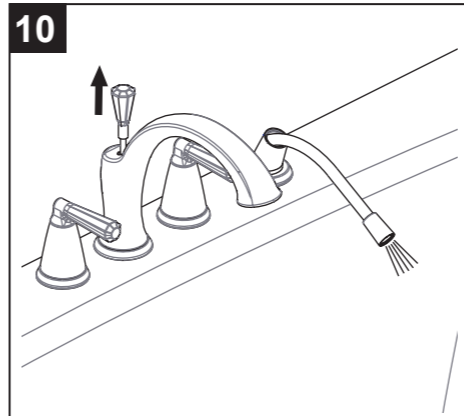
Pull black nylon or finished hose through the hand shower nipple bracket. Slide the hand shower washer, bracket and hose guide over the hose. Secure the assembly with the setscrew. Note, make sure the hose does not slip under the deck.



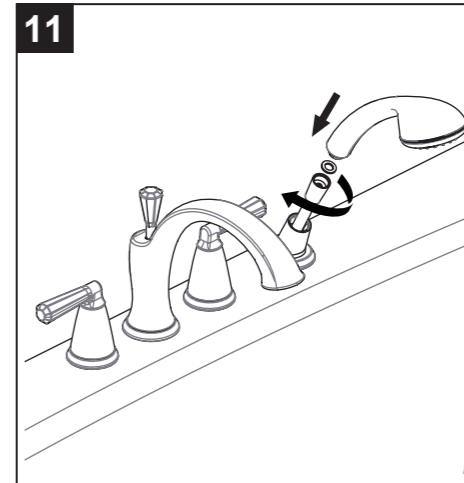
Remove the aerator with tool. Turn the water supply on.



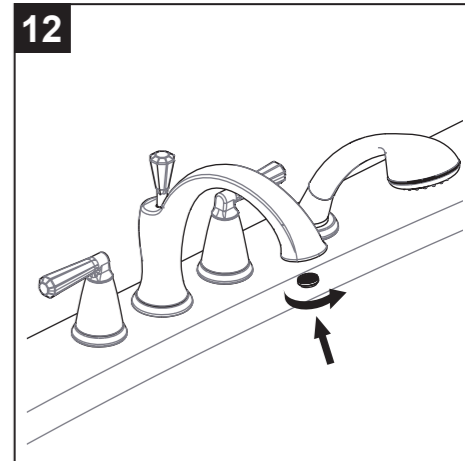
Make sure the diverter knob is in the down position. Turn the faucet handles on full for one minute to flush debris.



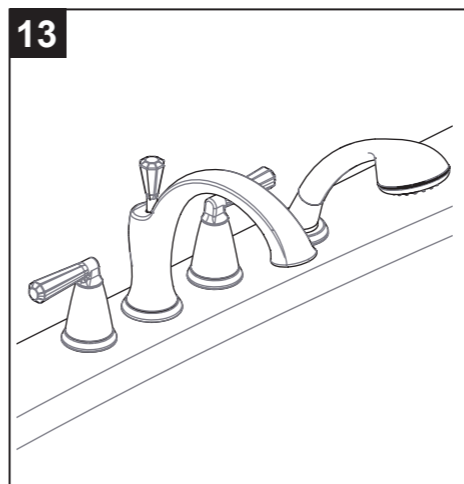
Leaving the water on, pull the hose to its farthest extension and point it into the tub. Pull the diverter knob to its top position. Flush the debris for one minute. Turn off the valves.



Attach the hand shower to the black nylon or finished hose.



Re-install the aerator with tool.



Installation complete.